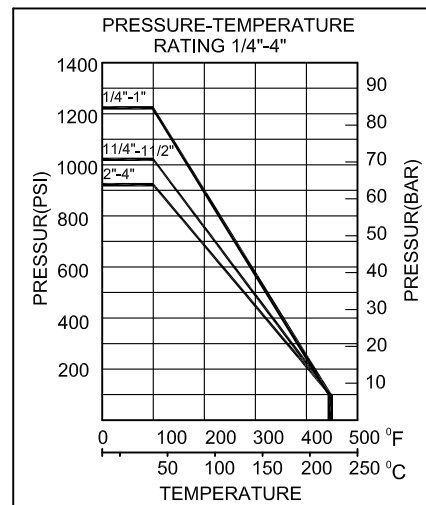
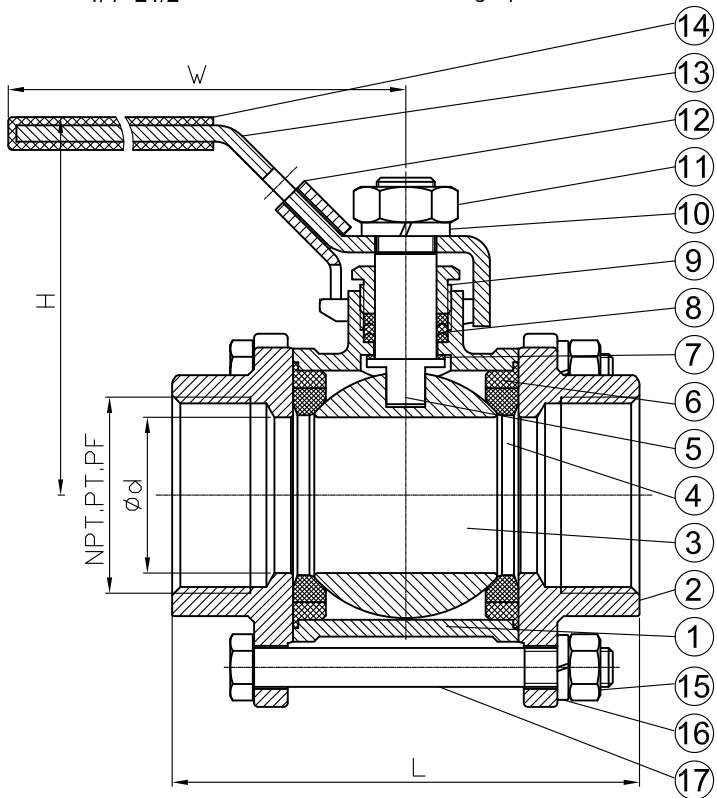


SOCKET WELD TYPE BUTT WELD TYPE



SIZE	DN	NPS	d	d1	L	L1	D	H	W	C	S
8	1/4"	11.6	10.0	58	70	17.0	56	102	40.5	14.1	
10	3/8"	12.7	12.5	58	70	17.0	56	102	40.5	17.6	
15	1/2"	15	16.0	63	75	21.3	65	123	47.0	21.7	
20	3/4"	20	20.0	73	90	26.7	67	123	53.5	27.1	
25	1"	25	25.0	85	100	33.6	79	153	59.6	33.8	
32	1 1/4"	32	33.8	96	110	42.4	84	153	74.2	42.6	
40	1 1/2"	38	39.5	114	125	48.0	92	183	84.0	48.7	
50	2"	50	50.8	134	150	60.5	99	183	101	61.1	
65	2 1/2"	65	62.7	180	190	76.1	136	246	132	76.9	
80	3"	80	77.9	200	220	88.9	146	246	161.5	89.8	
100	4"	100	100	228	270	114.2	168	503	191	115.5	

FEATURES:

- PIPE THREAD IN ACCORDANCE: NPT, BSPT, DIN259, DIN2999, ISO 228 CLASS A
- BLOW-OUT PROOF STEM / FULL PORT
- INVESTMENT CASTING BODY
- 1000PSI (PN63) W.O.G.
- LOCKING DEVICE
- MATERIAL: S45C/ASTM A216Gr-WCB/DIN1.0619 SUS316/ASTM A351Gr-CF8M/DIN1.4408

NO.	PART NAME	MATERIAL	
		WCB	CF8M
1	BODY	WCB	CF8M
2	CAP	WCB	CF8M
3	BALL		CF8M
4	SEAT		PTFE
5	STEM		SUS316
6	GASKET		PTFE
7	THRUST WASHER		PTFE
8	PACKING		PTFE
9	GLAND		SUS304
10	SPRING WASHER		SUS304
11	STEM NUT		SUS304
12	LOCKING DEVICE		SUS304
13	HANDLE		SUS304
14	PLASTIC COVER		PLASTIC
15	HEX NUT		SUS304
16	BOLT WASHER		SUS304
17	JOINT BOLT		SUS304



Rev.	Date	Description				Type	Rev.	A	
Checked	Morris	Scale	Fit	Date	2010/01/22	V-3N			
Drawn	Aaron	Describe	3-PIECE FULL PORT BALL VALVE						